

AGVS



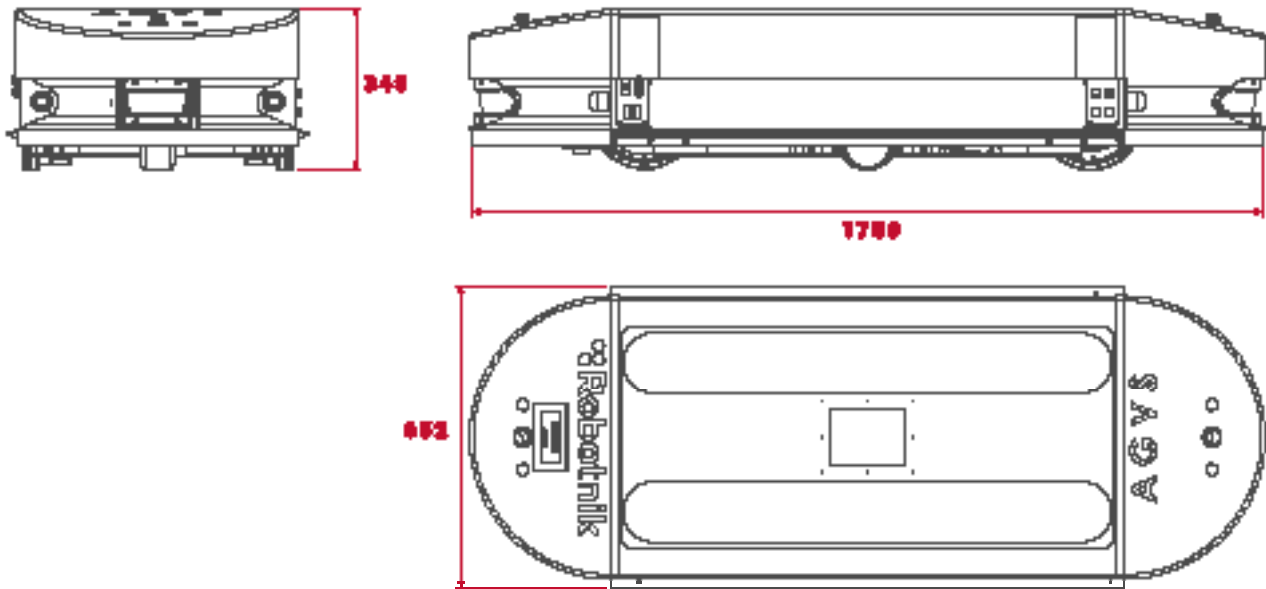
AN **INDOOR** TRANSPORT ROBOT
DEVELOPED FOR
LOGISTIC TRANSPORT

THE ROBOT IS ABLE TO
CARRY UP TO 500 KG LOAD

LOGISTICS

RESEARCH &
DEVELOPMENT





TECHNICAL SPECIFICATIONS

MECHANICAL

Dimensions **1.750 x 652 x 345 mm**

Weight **250 Kg**

Load capacity **500 Kg**

Speed **1,25 m/s**

Enclosure class **IP43**

Motors **Traction: 500 W**
Direction: 60 W

Autonomy **8 h continuous motion**

Batteries **LiFePO₄ 100 Ah@24V**

Temperature range **+5° to +50° C**

Max. Slope **5 %**

CONTROL

Controller **Embedded PC with Linux**
Open architecture ROS

Communication **Ethernet / WiFi**

FLEET CONTROL AND MONITORING (OPTIONAL)

HMI extension **SCADA motoring and based control in Linux**

SENSORS

Safety laser **SICK 3000 (one front and one rear)**