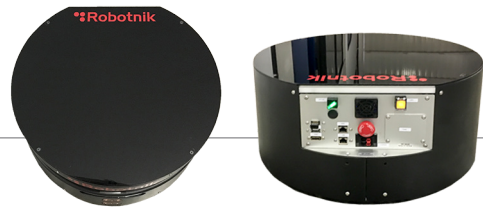


RB-I BASE



MOBILE PLATFORM DESIGNED
FOR INDOOR APPLICATIONS

THE ROBOT **CAN CARRY 50 KG** &
INTEGRATE DIFFERENT SENSORS

LOGISTICS

REMOTE MONITORING

RESEARCH & DEVELOPMENT

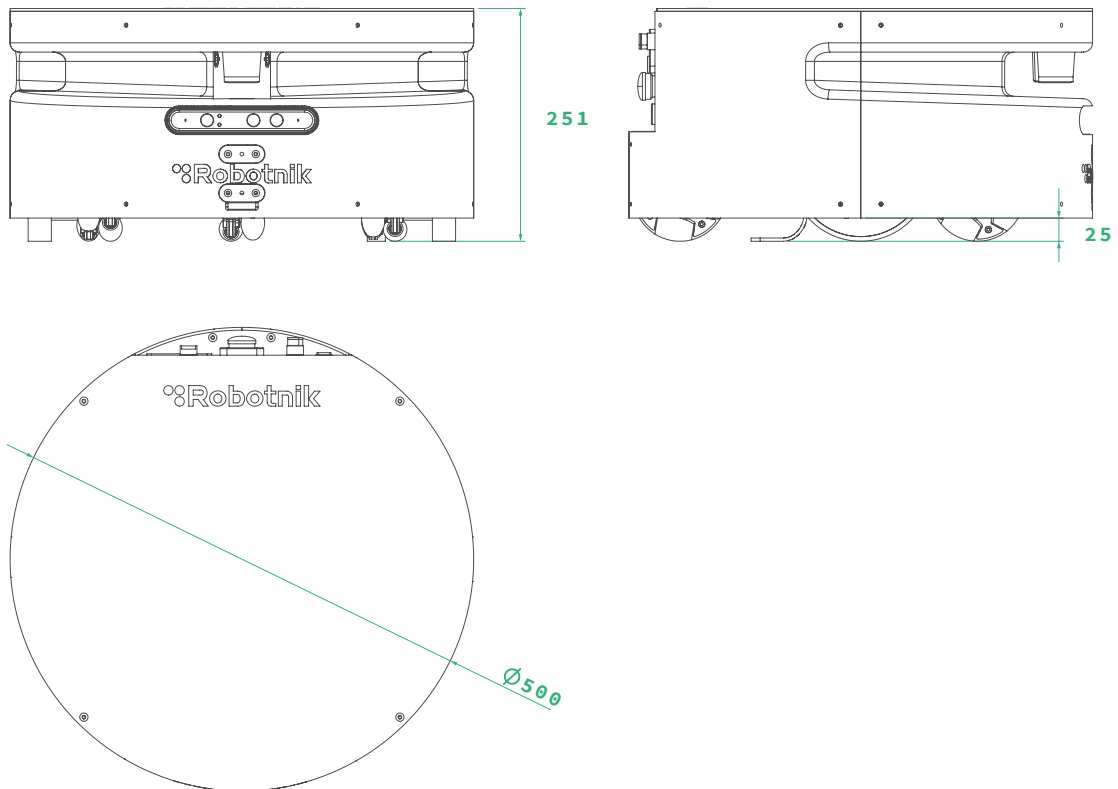
GENERAL PURPOSES

OPTIONS

AUTOMATIC RECHARGING STATION

LIFTING UNIT





TECHNICAL SPECIFICATIONS

MECHANICAL

Dimensions **500 x 500 x 251 mm**

Weight **30 Kg**

Load capacity **50 Kg**

Speed **1,5 m/s**

Enclosure class **IP51**

Autonomy **10 h continuous motion**

Batteries **LiFeP04 30Ah@24V**

Traction system **Differential drive**

Traction motors **2 x 250 W servo motors**

Max. Slope **8 %**

PC

Processor **4th generation Intel i7**

RAM **8 Gb**

Hard Drive **120 Gb**

CONTROL

Controller **Open architecture ROS
Embedded PC with Linux**

Communication **WiFi 802.11n**

Connectivity **2 x USB, 2 x Ethernet
and 1 x HDMI**